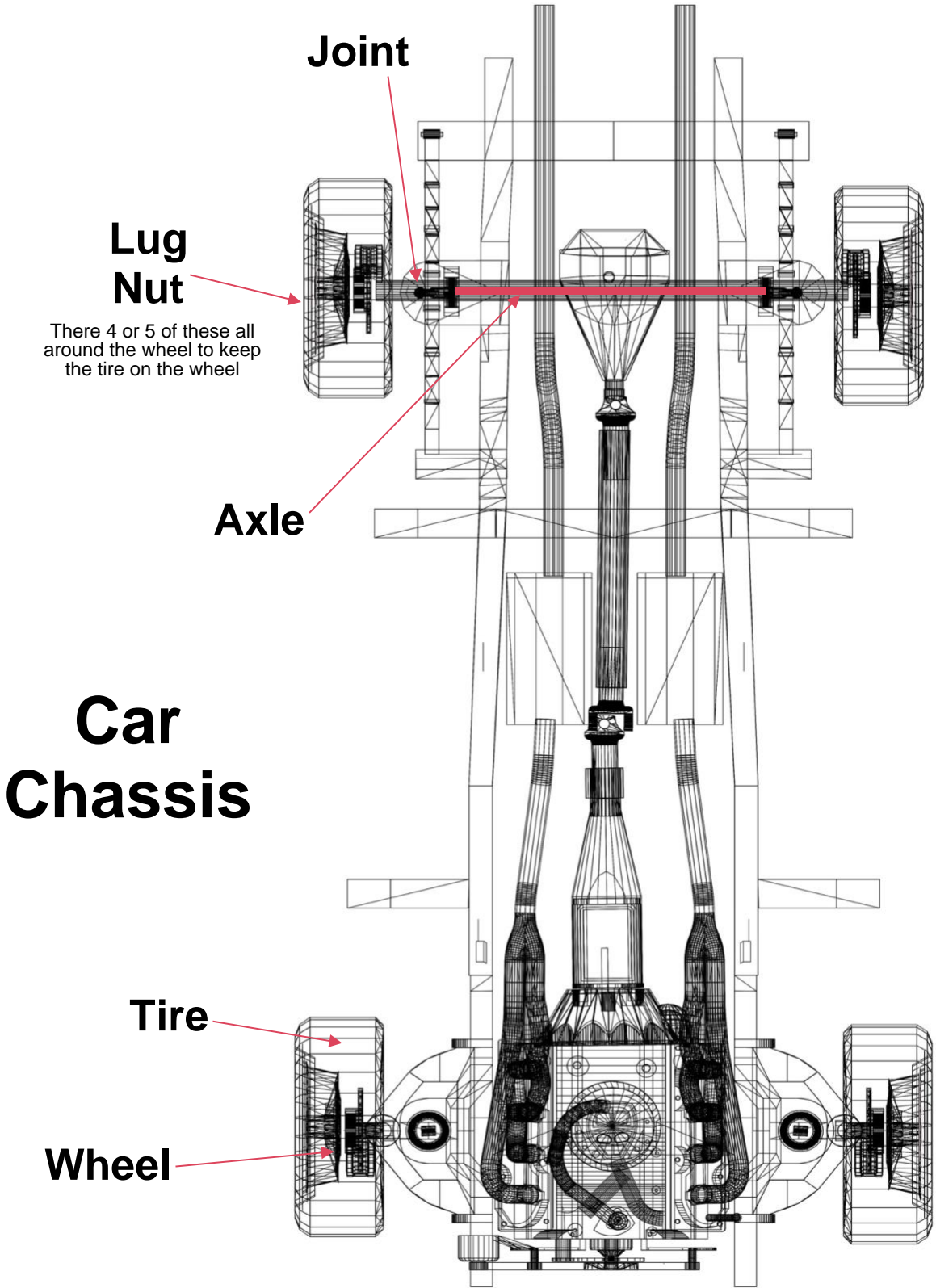




Cars – RESOURCE #2

Standard Connection:
ELA.L.PK4.1c; ELA.SL.PK4.2
M.MD.PK4.3; M.CC.PK4.4b
S.ES.PK4.3b; S.T.PK4.3
SS.OW.PK4.2; SS.FC.PK4.7
PD.SHS.PK4.3; PD.SHS.PK4.5
VA.CR3a.1.PK; VA.RE7a.2.PK





Headlight

Bumper

Tire